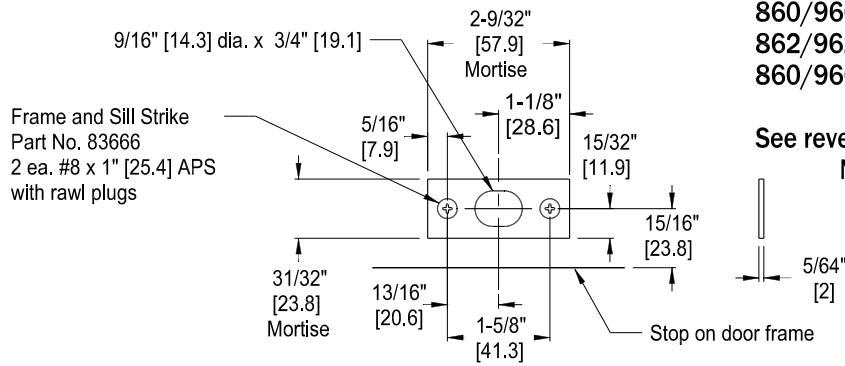


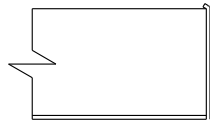
PATENTED

**860/960 = Single Bolt
862/962 = Set of Bolts
860/960/BFB = Single Bolt
Bottom Fire Bolt
See reverse side for BFB Template
Non - Handed**

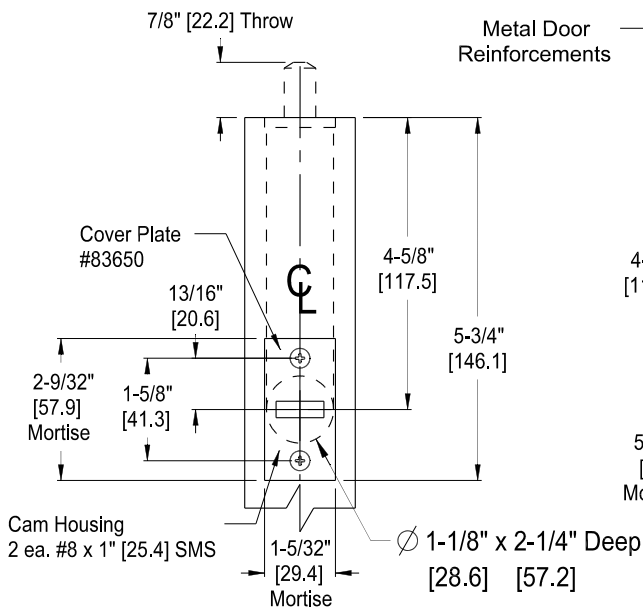
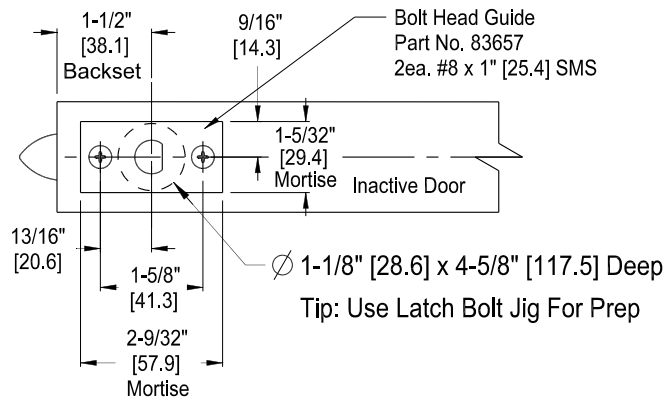
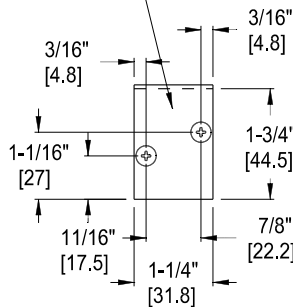


Frame and Sill Strike
Part No. 83666
2 ea. #8 x 1" [25.4] APS
with rawl plugs

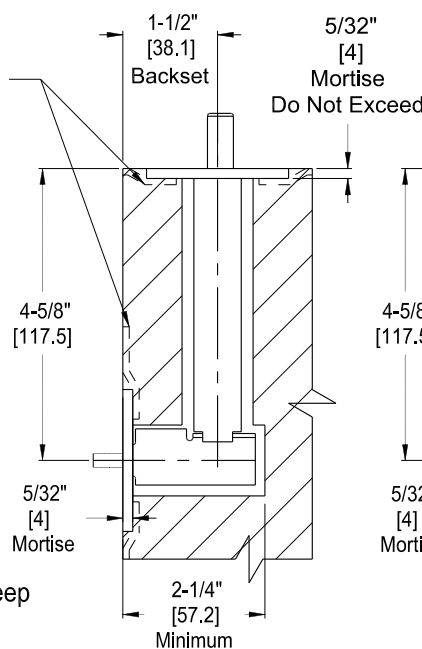
REQUIRES 1-1/2" [38.1] BACKSET



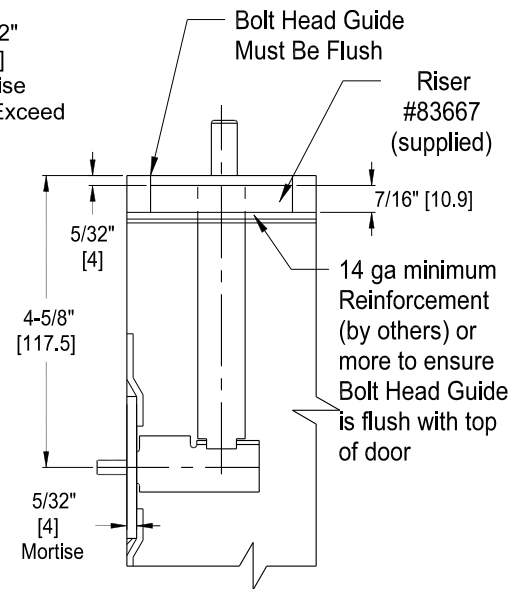
3/32" [2.4] thick shims are available for the active door strike. Part No. 800-1600



Metal/Wood Door



Metal/Wood Door



Recessed Channel Metal Door

Dimensions in [] denotes millimeters



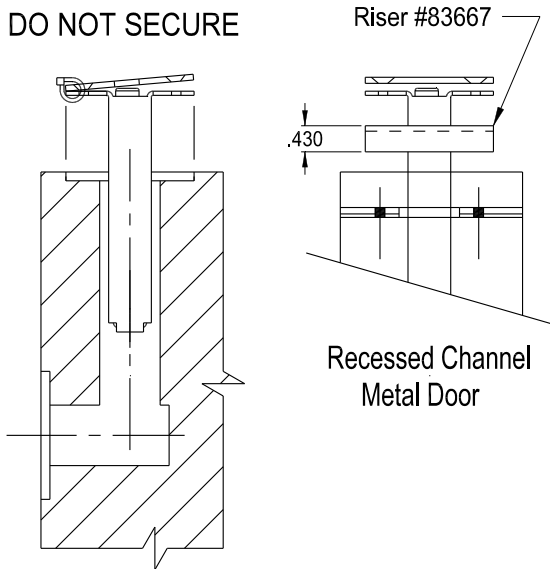
DOOR CONTROLS INTERNATIONAL™
2362 Bishop Circle East
Dexter, MI 48130 U.S.A.

Bolt Installation

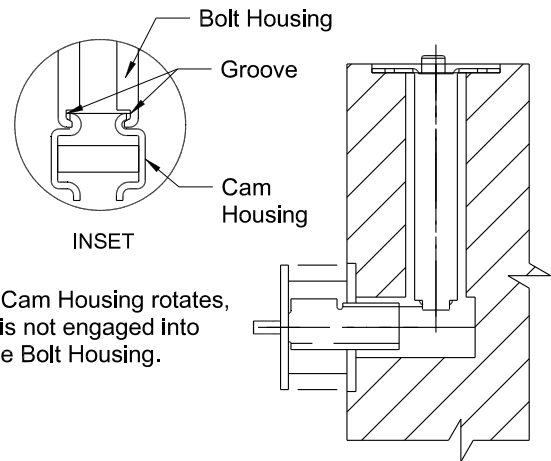
PATENTED

1. Remove Tie and install Bolt Housing.

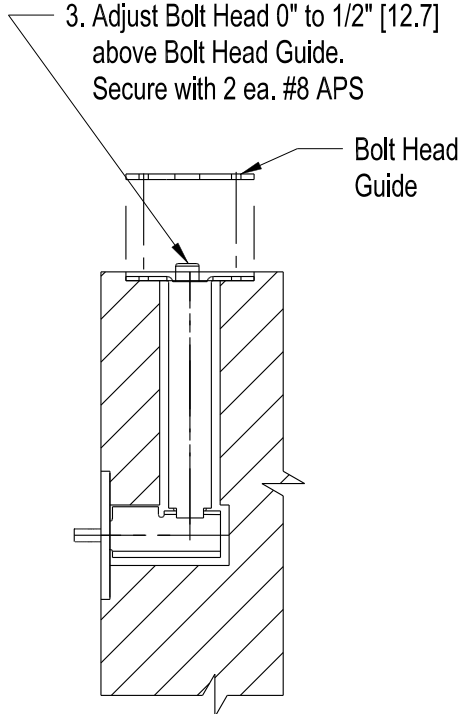
DO NOT SECURE



2. Install Cam Housing into grooves of Bolt Housing. See Inset. Secure Trim Plate with 2 ea. #8 APS

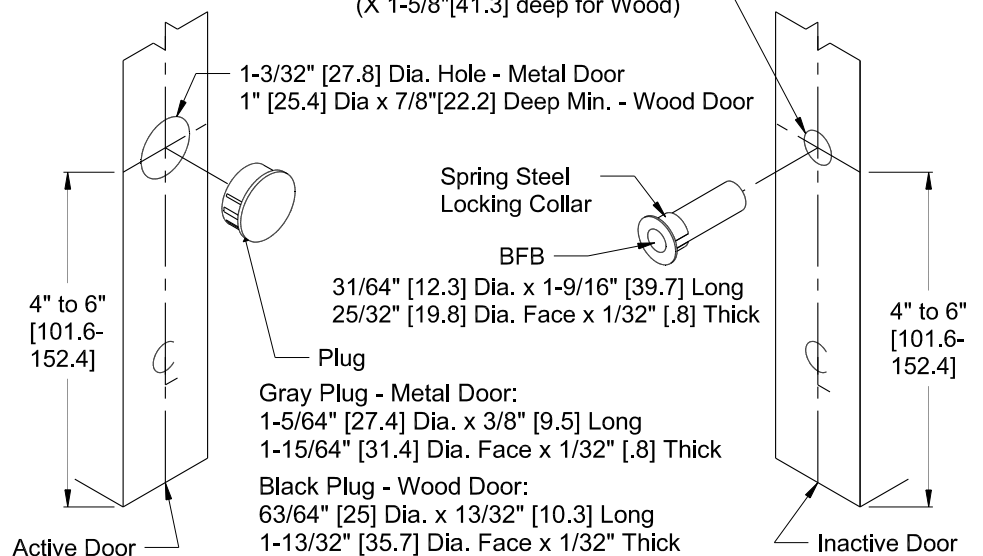


3. Adjust Bolt Head 0" to 1/2" [12.7] above Bolt Head Guide. Secure with 2 ea. #8 APS



BFB Mounting Instructions

9/16" [14.3] Diameter Hole
(X 1-5/8" [41.3] deep for Wood)



IMPORTANT: The BFB will project during a fire. Do not cover with any edge mounted door hardware.

Dimensions in [] denotes millimeters

