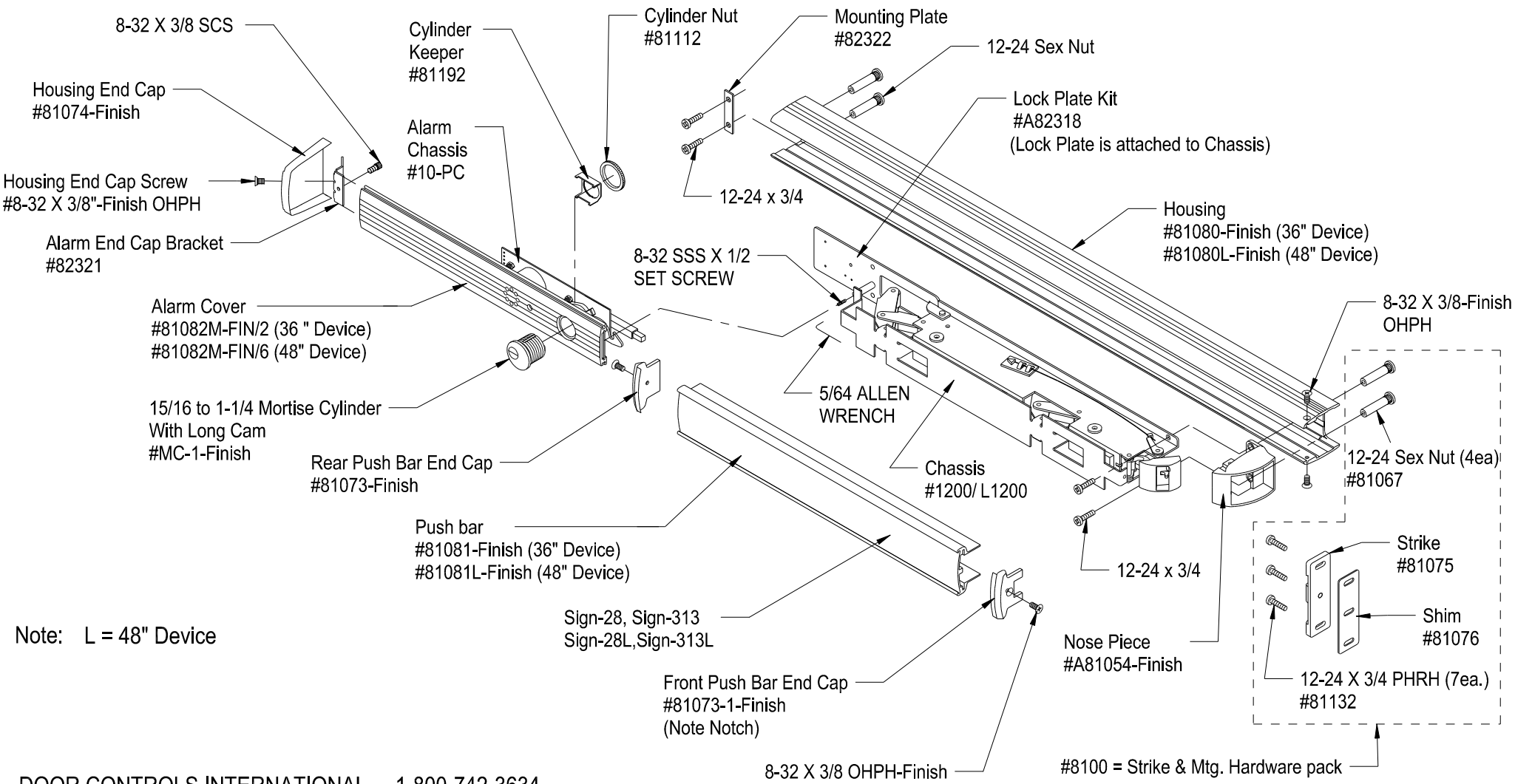




1210A Series Parts List



Note: L = 48" Device