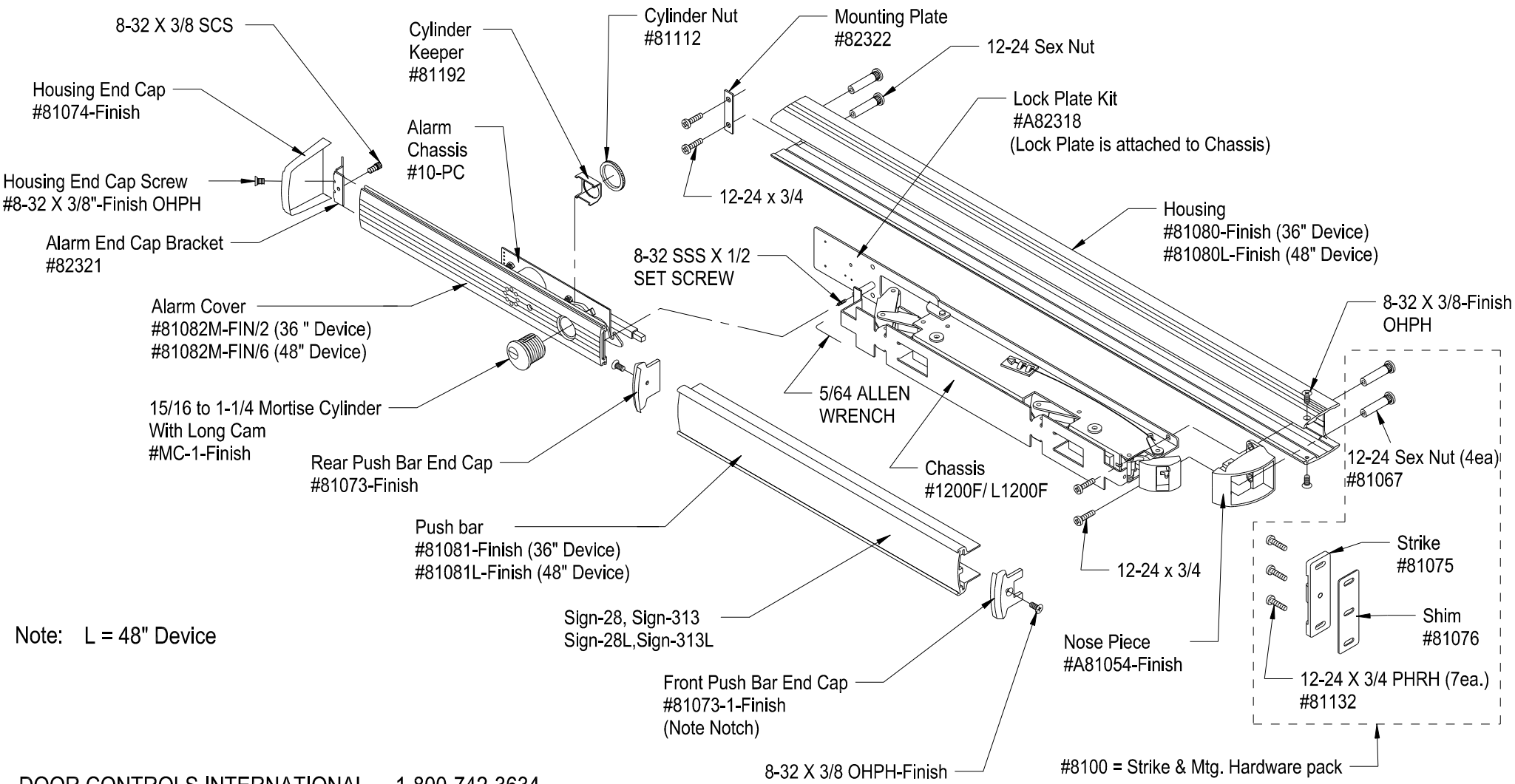




1210F Series Parts List



Note: L = 48" Device