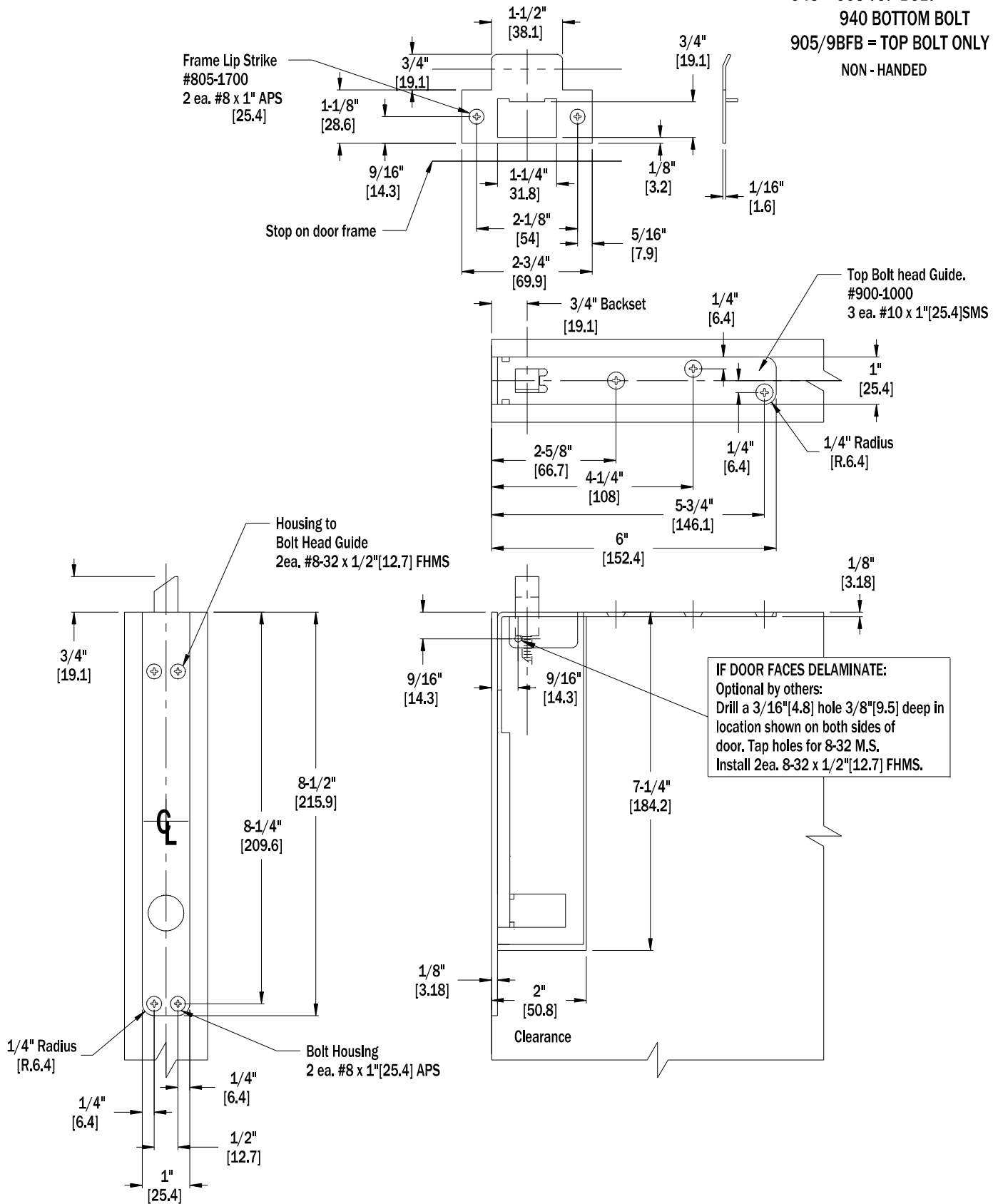


NO. 905 SERIES AUTOMATIC FLUSHBOLTS FOR WOOD DOORS

THIS TEMPLATE APPLIES TO

ITEM NO. 905, 905/9BFB

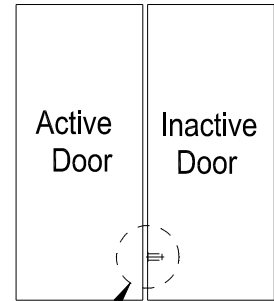
945 = 905 TOP BOLT
940 BOTTOM BOLT
905/9BFB = TOP BOLT ONLY
NON - HANDED



Installation Instructions

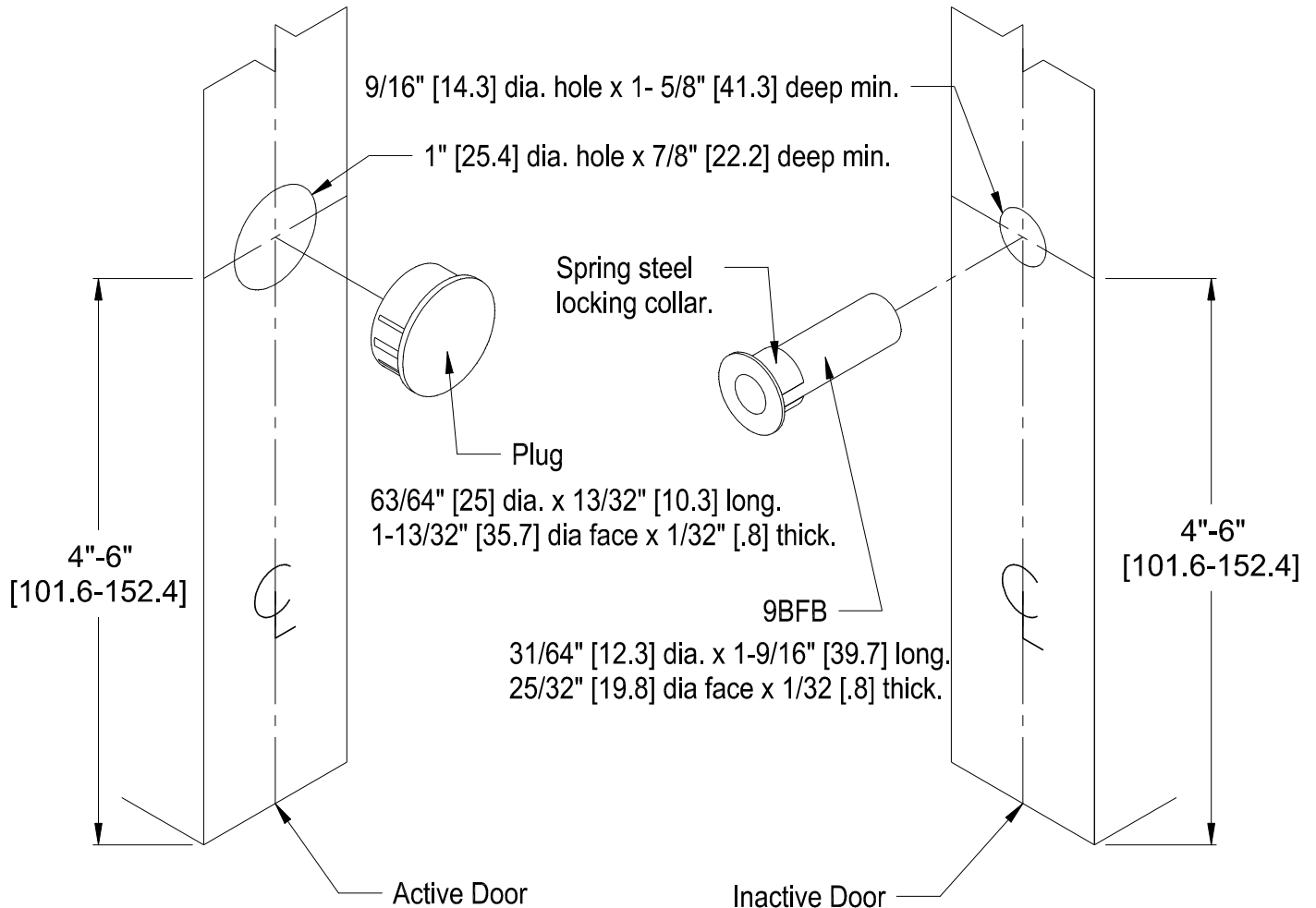
Inactive Door

1. Measure 4"- 6" [101.6 - 152.4] from bottom of the Inactive Door.
2. Drill a 9/16" [14.3] dia. hole x 1-5/8" [41.3] deep for 9BFB.
3. Install 9BFB by striking squarely with a hammer.



Active Door

1. Drill a 1" [25.4] dia. x 7/8" [22.2] deep hole for Plug at the same height as the 9BFB.
2. Install plug in door by striking with a hammer.
3. For zero clearance doors, counterbore 1-1/4" [31.8] dia x 1/16" [1.6] deep for plug.



**IMPORTANT: The 9BFB will project during a fire.
 Do not cover with any edge mounted door hardware.**

Dimensions in [] denotes millimeters



DOOR CONTROLS
 INTERNATIONAL™
 2362 BISHOP CIRCLE EAST
 DEXTER, MI 48130 U.S.A.

PH 1-800-742-3634 FAX 1-800-742-0410