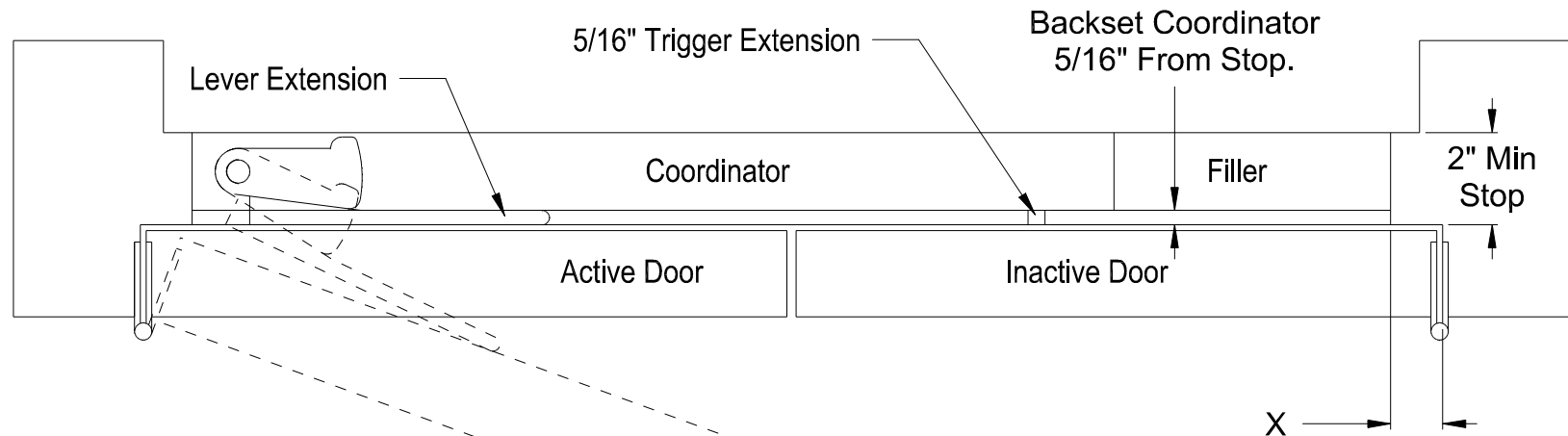


600 Series Coordinator With Pocket Frames Or Swing Clear Hinges

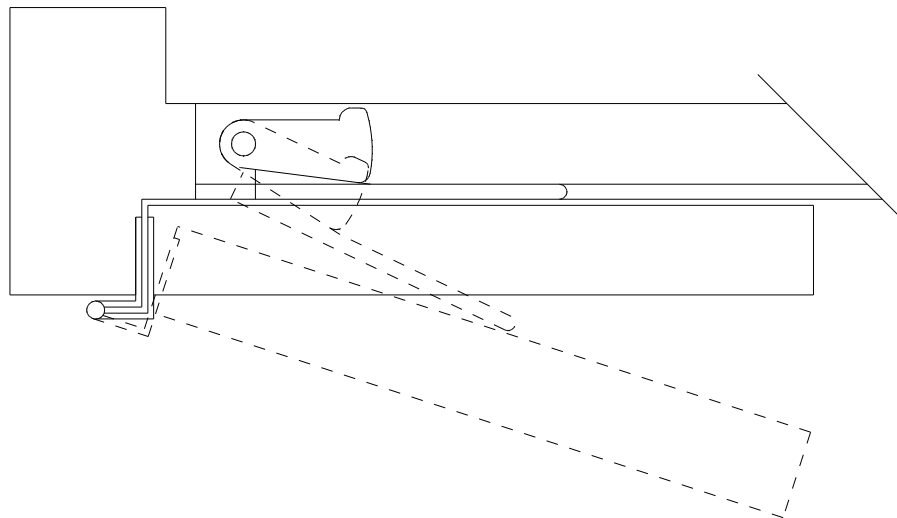
TEMPLATE APPLIES TO

SQ 135

Pocket Frame



Swing Clear Hinge



Application is valid when "X" is greater than 5/8"

This modification voids UL listing for cycle testing.

2/5/08



DOOR CONTROLS
INTERNATIONAL
2362 BISHOP CIRCLE EAST
DEXTER, MI. 48130 U.S.A.
800-742-3634 www.doorcontrols.com